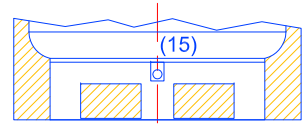
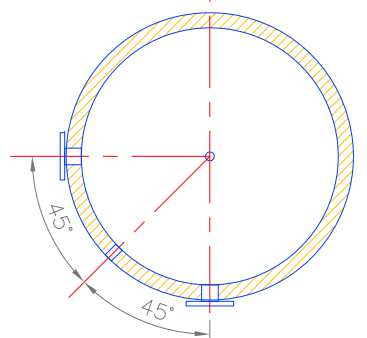
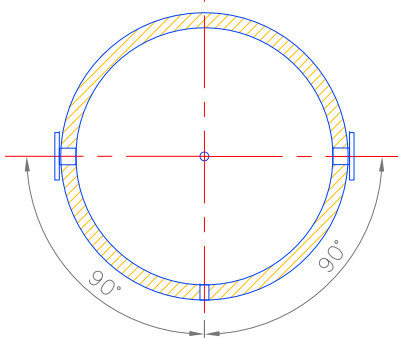
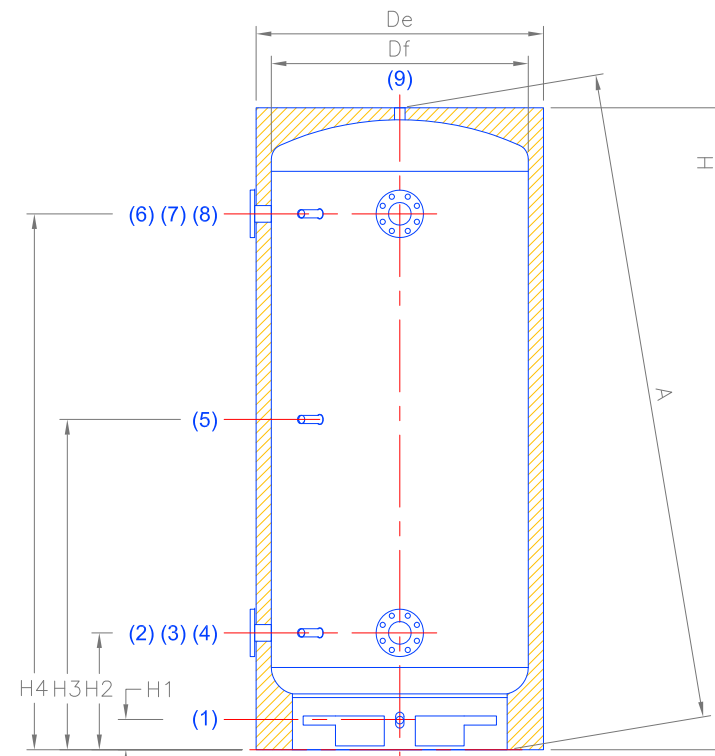
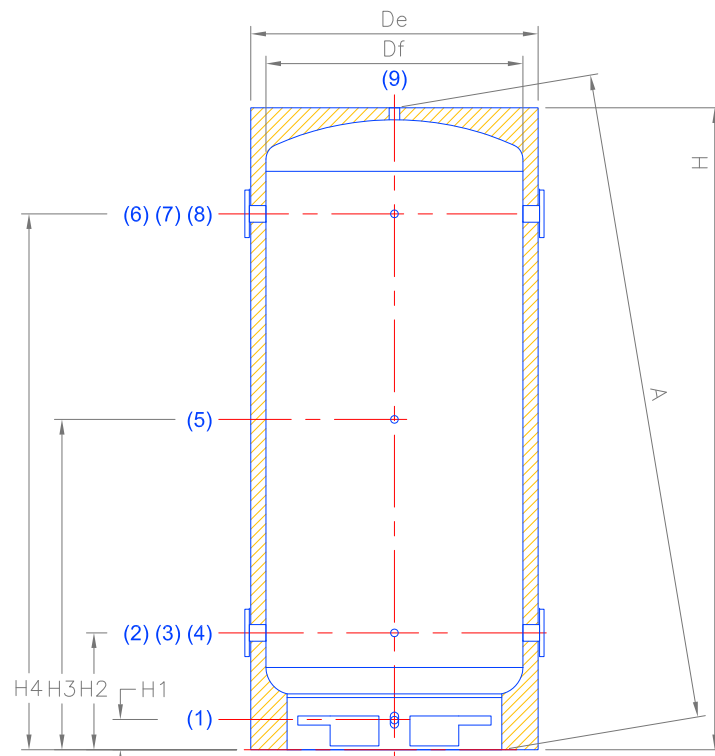


DO NOT SCALE FROM THIS DRAWING. IF IN DOUBT, ASK.

THIS DRAWING IS COPYRIGHT AND MAY NOT BE REPRODUCED EITHER IN PART OR FULL WITHOUT WRITTEN PERMISSION FROM MYRIAD CEG LTD.

180° FLANGED CONNECTIONS

90° FLANGED CONNECTIONS



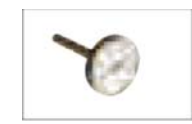
The compact models have two grips on the bottom which allows the use of a forklift when handling and already equipped mounted drainage tube.

**Material**  
Mild steel outside painted. There is no need of any anti-corrosion treatment due to the fact the buffer is in a closed circuit without any adding air.

**Insulation**  
**NOFIRE** 100mm soft polyester fibre 100% made of recyclable material with high Thermal insulation and Thermal conductivity: **0,039 W/mK**. Fire resistance class **B-s2d0** according to **EN 13501**. PVC external lining complete with top cover.

Buffer Tanks												
Part No	Model	Net Volume ltr	Dimensions (mm)								Connections Gas F	
			Df	De	H	A	H1	H2	H3	H4	2-4-6-8	9
39.02500	2500	2306	1250	1450	2351	2433	140	616	1216	1816	PN16 DN80	1 1/2"
39.03000	3000	3017	1500	1700	2180	2305	109	640	1115	1590	PN16 DN80	2"
39.04000	4000	3986	1600	1800	2456	2583	95	646	1246	1846	PN16 DN80	2"
39.04500	4500	4411	1800	2000	2230	2405	89	655	1130	1605	PN16 DN80	2"
39.05000	5000	5042	1800	2000	2480	2638	89	675	1255	1835	PN16 DN100	2"
39.06000	6000	5672	1800	2000	2730	2875	89	675	1380	2085	PN16 DN100	2"
39.08000	8000	7564	1800	2000	3480	3594	89	675	1705	2835	PN16 DN100	2"

Typical Connection Use	
1	Drain 1" Gas F
2-4	To Generator / Heating Return
6-8	Heating Delivery / From Generator
3-5-7	Connection For Instrumentation 1/2" Gas F
9	Heating Delivery



Thermometer	
Part No	
39.00003	5 Units per box

**Note:-**  
Insulation included as part of supply.

Drawing Name Buffer Vessels - Standard Configuration (CV) Flanged Connections		
Drawing Number: 39.00000	Issue No. 01	Sheet No. 1 of 1
Scale @ A3: nts		3rd Angle Projection 

Myriad CEG Ltd. (Trading as Myriad Heat & Power Products)  
Unit 21, Burrough Court, Burrough-on-the-Hill,  
Melton Mowbray, Leicestershire, LE14 2QS  
Tel: 0203 189 0665 info@myriadproducts.co.uk