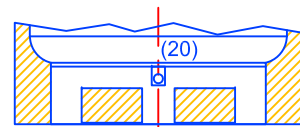
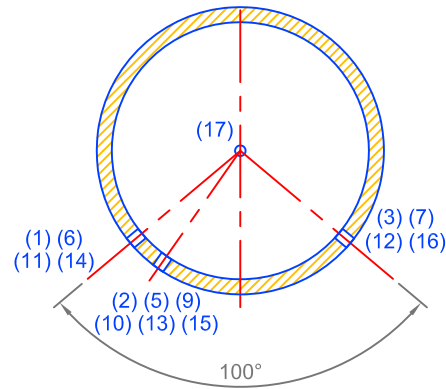
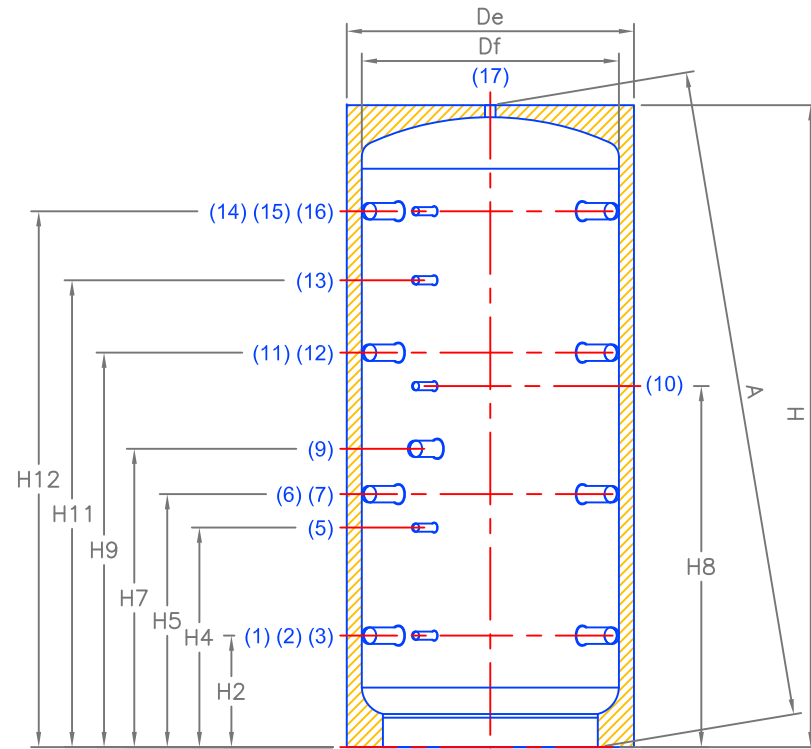


DO NOT SCALE FROM THIS DRAWING. IF IN DOUBT, ASK.

THIS DRAWING IS COPYRIGHT AND MAY NOT BE REPRODUCED EITHER IN PART OR FULL WITHOUT WRITTEN PERMISSION FROM MYRIAD CEG LTD.



Models >2000 have two grips on the bottom which allows the use of a forklift when handling and a drain pipe already fitted.

Buffer Tanks																			
Part No	Model	Net Volume (ltr)	Dimensions (mm)												Connections				
			Df	De	H	A	H1	H2	H4	H5	H7	H8	H9	H11	H12	1-3-6-7-9-11-12-14-16-17	1-3-6-7-11-12-14-16	9-17	20
38.00800	800	805	790	990	1840	1895	-	265	584	630	823	938	995	1180	1371	1" 1/2	-	-	-
38.01000	1000	946	790	990	2130	2180	-	265	656	787	998	1188	1309	1588	1831	1" 1/2	-	-	-
38.01500	1500	1435	950	1150	2250	2315	-	313	736	845	1061	1286	1377	1653	1909	1" 1/2	-	-	-
38.02000	2000	1972	1100	1300	2320	2400	-	347	770	879	1060	1300	1411	1687	1943	-	1" 1/2	1" 1/2	1"
38.02500	2500	2306	1250	1450	2351	2427	140	556	886	996	1051	1216	1436	1546	1876	-	2"	2"	1"
38.03000	3000	3017	1500	1700	2180	2301	109.5	567	841	932	1252	1115	1297	1389	1662	-	2"	2"	1"
38.04000	4000	3986	1600	1800	2456	2578	94.5	574	910	1022	1414	1246	1470	1582	1918	-	2"	2"	1"
38.04500	4500	4411	1800	2000	2230	2400	90	582	856	947	1267	1130	1312	1404	1677	-	2"	2"	1"
38.05000	5000	5042	1800	2000	2480	2634	90	583	919	1031	1423	1255	1479	1591	1927	-	2"	2"	1"
38.06000	6000	5672	1800	2000	2730	2870	90	605	1005	1114	1295	1535	1646	1922	2155	-	3"	2"	1"
38.08000	8000	7564	1800	2000	3480	3591	90	606	1066	1372	1526	1986	2138	2446	2904	-	3"	2"	1"

Typical Connection Use	
1-3-6-7	Heating Return/To Generator
2-5	Connection For Instrumentation 1/2" Gas F
9	Electrical Immersion Resistance
10	Connection For Instrumentation 1/2" Gas F
11-12-14-16	Heating Delivery/From Generator
13	Connection For Instrumentation 1/2" Gas F
15	Connection For Instrumentation 1/2" Gas F
17	Heating Delivery
20	Drain (Only For Models >2000)



Electrical Immersion Kit		
Part No	kW	Voltage
38.00001	from 1.5 to 3	220V - 1 Phase
38.00002	from 4 to 12	400V - 3 Phase



Thermometer	
Part No	Quantity
38.00003	5 Units per box



Buffer Tank Connecting Kit	
Part No	Connection
38.00004	1" 1/2
Stainless Steel Extension Kit (200+400mm)	

Note:-
Insulation included as part of supply.

Material

Mild steel outside painted. There is no need of any anti-corrosion treatment due to the fact the buffer is in a closed circuit without any adding air.

Insulation

NOFIRE 100mm soft polyester fibre 100% made of recyclable material with high Thermal insulation and Thermal conductivity: **0,039 W/mK**. Fire resistance class **B-s2d0** according to **EN 13501**. PVC external lining complete with top cover.

Drawing Name Buffer Vessels - Standard Configuration (CV)		
Drawing Number: 38.00000	Issue No. 01	Sheet No. 1 of 1
Scale @ A3: nts		3rd Angle Projection



Myriad CEG Ltd. (Trading as Myriad Heat & Power Products)
Unit 21, Burrough Court, Burrough-on-the-Hill,
Melton Mowbray, Leicestershire, LE14 2QS
Tel: 0203 189 0665 info@myriadproducts.co.uk